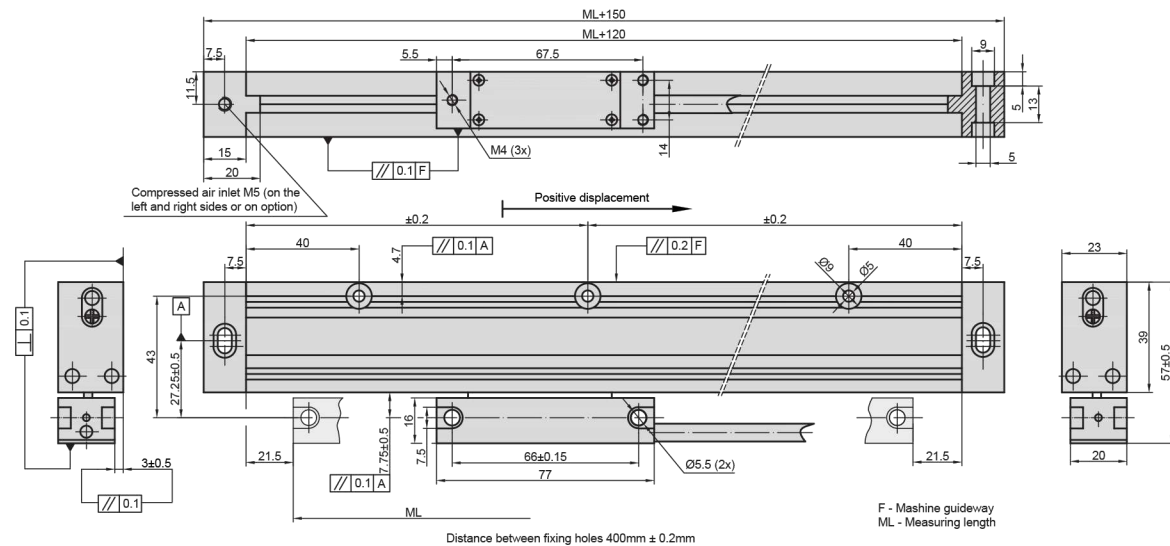


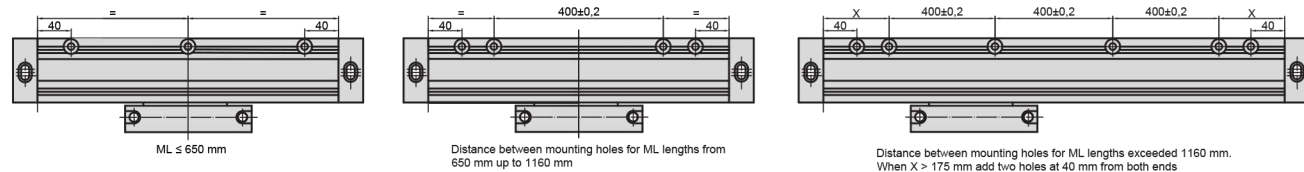
L23



Photoelectric modular linear encoder L23 can have up to 20.000 mm measuring length or even more on special order and is able reach up to ±5 µm accuracy.



MOUNTING REQUIREMENTS

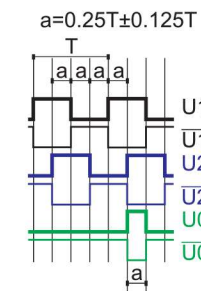


MECHANICAL DATA

Measuring lengths (ML), mm	250, 300, 350, 400, 450, 500...20000 (in modular version for ML over 6500 mm or for lower ML on request)	Protection (IEC 529)	-without compressed air -with compressed air	IP54 IP64
Accuracy grades to any metre within the ML (at 20°C)	±5	Weight	0.4 kg + 1.3 kg/m	
Max. traversing speed:	120 m/min	Operating temperature	0...+50°C	
- when resolution is 100, 50, 10, 5, 2, 1 µm		Storage temperature	-20...+70°C	
- when resolution is 0.2 µm	60 m/min	Permissible vibration (10...2000 Hz)	≤ 100 m/s ²	
- when resolution is 0.1 µm	30 m/min	Permissible shock (11 ms)	≤ 150 m/s ²	
Reference marks (RI):	without reference mark; every 30 mm; RI number and place on option	Coefficient of thermal expansion	10.6x10 ⁻⁶ °C	
- N		Max. acceleration	30 m/s ²	
- M		Relative humidity	20...80% (not condensed)	
- P				
Coefficient of thermal expansion	10.6x10 ⁻⁶ °C			
Required moving force	< 4 N			

ELECTRICAL DATA

Version	L23-F TTL
Supply voltage (U _p)	+5V±5%/ 140 mA; +(10...28V)±5%
Light source	LED
Resolution	100, 50; 10; 5; 1; 0.5 µm (after 4-fold in subsequent electronics)
Incremental signals	Differential square-wave U1/U1 and U2/U2
Reference signal	Differential square-wave U0/U0
Signal levels at load current 20 mA:	- low (logic "0") < 0.5 V at U _p =+5V - high (logic "1") > 2.4 V at U _p =+5V - low (logic "0") < 1.5 V at U _p =+12V (HTL) - high (logic "1") > (U _p -2) V at U _p =+12V (HTL)
Direction of signals	U2 lags U1 (displacement from left to right and head position down)
Standard cable length	4 m armoured, without connector
Maximum cable length	100 m



Note: If cable extension is used the power supply conductor section should not be smaller than 0.35 mm².

ACCESSORIES

CONNECTORS FOR CABLE	B12 12-pin round connector	C9 9-pin round connector	C12 12-pin round connector	D9 9-pin flat connector	D15 15-pin flat connector	RS10 10-pin round connector	ONC 10-pin round connector
DIGITAL READOUT DEVICES	CS3000				CS5500		

ORDER FORM

L23	X1	X2	X3	X4	X5	X6/X7
Resolution (X1):	Measuring length (X2):	Reference marks (X3):	Supply Voltage (X4):	Compressed air (X5):	Cable (armoured) length (X6):	Connector type (X7):
F01 - TTL 0.1µm F02 - TTL 0.2µm F05 - TTL 0.5µm F10 - TTL 1µm F50 - TTL 5µm F100 - TTL 10µm F500 - TTL 50µm F1000 - TTL 100µm	0250 - 250mm 0500 - 500mm ... 20000 - 20000mm ... - (on request)	N - none RI M - every 30mm P - RI number and place on option	05V - +5V 28V - +(10...28)V	0 - without compressed air 1 - with compressed air	01 - 1m 02 - 2m 03 - 3m 04 - 4m (standard) ...	W - without connector B12 - round, 12 pins C9 - round, 9 pins C12 - round, 12 pins D9 - flat, 9 pins D15 - flat, 15 pins RS10 - round, 10 pins ONC - round, 10 pins

ORDER EXAMPLE: 1) L23-F100-16000-N-05V-0-04/C12