

PHOTOELECTRIC ROTARY ENCODER

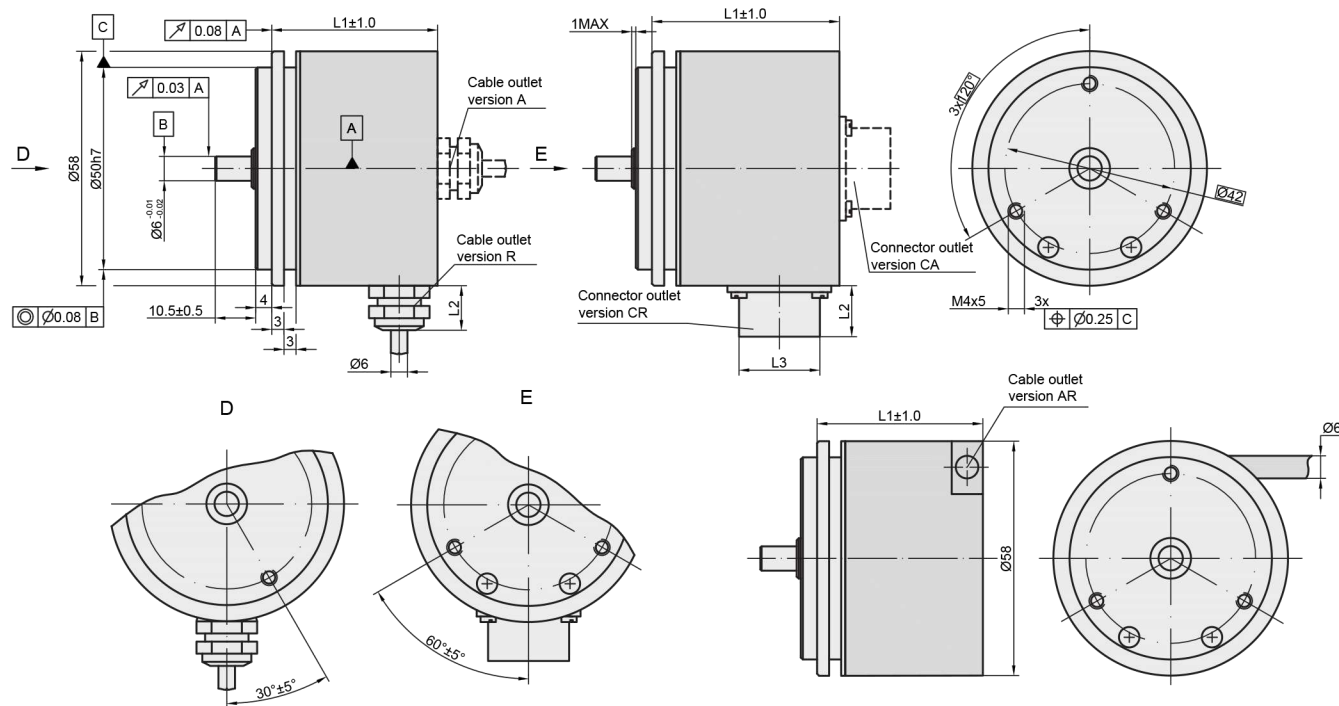
# A58



The A58 series is a photoelectric incremental encoder series that is comprised of 6 iterations – A58M, A58B, A58C, A58C2, A58C3 and A58D. These encoders share the same mechanical and electrical characteristics but differ in mounting options. Encoders produce up

to 108.000 output pulses per revolution and depending on customer demands can have different versions of output signals: 11uApp, 1Vpp, TTL or HTL.

## A58M



Other mounting versions can be found in the next pages

Connector type / cable outlet	ONC axial	RS10 axial	C12, C9 axial	ONC radial	RS10 radial	C12, C9 radial	Cable axial (ver. A)	Cable radial (ver. R)	Cable axial-radial (ver. AR)
L1	41 mm	41 mm	41 mm	54 mm	53 mm	53 mm	41 mm	41 mm	43 mm
L2	16 mm	9 mm	22 mm	16 mm	9 mm	22 mm	12 mm	12 mm	-
L3	M24	M14	M23	M24	M14	M23	-	-	-

## MECHANICAL DATA

Line number on disc (z)	100; 250; 500; 600; 800; 1000; 1024; 1125; 1250; 1500; 2000; 2048; 2500; 3000; 3600; 4000; 5000; 9000; 10800	Starting torque at 20°C	≤ 0.01 Nm
Pulse number per shaft revolution for A58-F	Z x k, where k=1,2,3,4,5,8,10	Rotor moment of inertia	< 15 gcm <sup>2</sup>
Maximum shaft speed	12000 rpm	Protection (IEC 529)	IP64
Maximum shaft load:		Maximum weight without cable	0.25 kg
- axial	40 N	Operating temperature	-10...+70 °C
- radial (at shaft end)	60 N	Storage temperature	-30...+80 °C
Accuracy (T <sub>1</sub> -period of lines on disc in arc. sec)	±0.1T <sub>1</sub> arc. sec	Maximum humidity (non-condensing)	98 %
		Permissible vibration (55 to 2000 Hz)	≤ 100 m/s <sup>2</sup>
		Permissible shock (11 ms)	≤ 1000 m/s <sup>2</sup>

## ACCESSORIES

<b>CONNECTORS FOR CABLE</b>	B12 12-pin round connector	C9 9-pin round connector	C12 12-pin round connector	D9 9-pin flat connector	D15 15-pin flat connector	RS10 10-pin round connector	ONC 10-pin round connector
<b>CONNECTORS ON HOUSING</b>	C9 9-pin round connector		C12 12-pin round connector	RS10 10-pin round connector		ONC 10-pin round connector	
<b>DIGITAL READOUT DEVICES</b>	CS3000			CS5500			
<b>COUPLING</b>				SC30			
<b>EXTERNAL INTERPOLATOR</b>	NK						

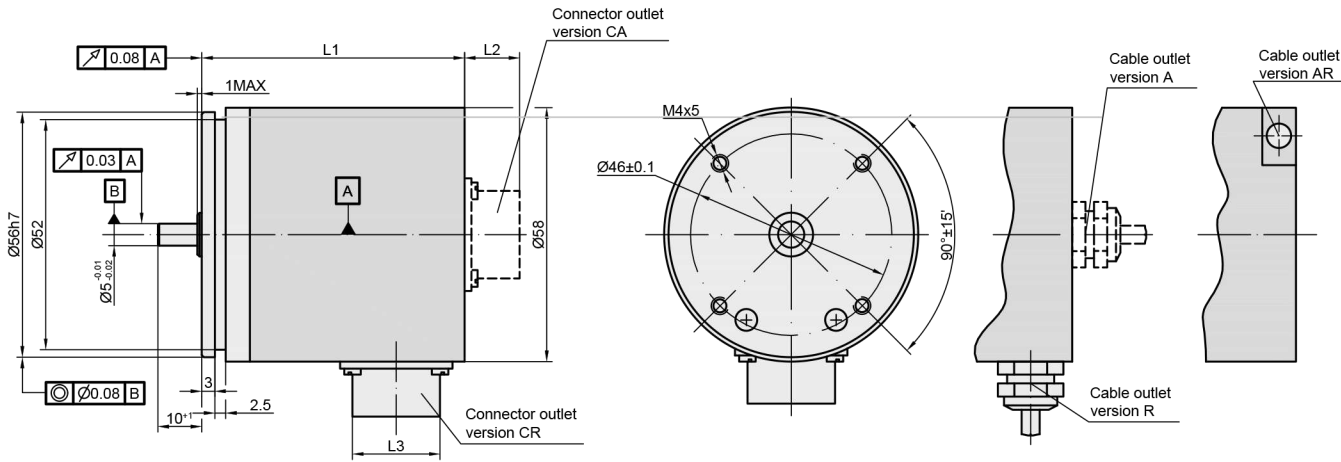
## ELECTRICAL DATA

Version	A58-A ~ 11 μApp	A58-AV ~ 1 Vpp	A58-F □ TTL; □ HTL
Supply voltage (U <sub>p</sub> )	+5 V ±5%	+5 V ±5%	+5 V ±5%; +(10 to 30) V
Max. supply current (without load)	80 mA	120 mA	120 mA
Light source	LED	LED	LED
Incremental signals	Two sinusoidal I <sub>1</sub> and I <sub>2</sub> Amplitude at 1 kΩ load: - I <sub>1</sub> = 7-16 μA - I <sub>2</sub> = 7-16 μA	Differential sine +A/-A and +B/-B Amplitude at 120 Ω load: - A = 0.6-1.2 V - B = 0.6-1.2 V	Differential square-wave U1/U1 and U2/U2. Signal levels at 20 mA load current: - low (logic "0") ≤ 0.5 V at U <sub>p</sub> =+5 V - low (logic "0") ≤ 1.5 V at U <sub>p</sub> =10 to 30 V - high (logic "1") ≥ 2.4 V at U <sub>p</sub> =+5 V - high (logic "1") ≥ (U <sub>p</sub> -2) V at U <sub>p</sub> =10 to 30 V
Reference signal	One quasi-triangular I <sub>0</sub> peak per revolution. Signal magnitude at 1 kΩ load: - I <sub>0</sub> = 2-8 μA (usable component)	One quasi-triangular +R and its complementary -R per revolution. Signal magnitude at 120 Ω load - R = 0.2-0.8 V (usable component)	One differential square-wave U0/U0 per revolution. Signal levels at 20 mA load current: - low (logic "0") < 0.5 V at U <sub>p</sub> =+5 V - low (logic "0") < 1.5 V at U <sub>p</sub> =10 to 30 V - high (logic "1") > 2.4 V at U <sub>p</sub> =+5 V - high (logic "1") > (U <sub>p</sub> -2) V at U <sub>p</sub> =10 to 30 V
Maximum operating frequency	(-3 dB) ≥ 160 kHz	(-3 dB) ≥ 180 kHz	(160 x k) kHz, k-interpolation factor
Direction of signals	I <sub>1</sub> lags I <sub>2</sub> for clockwise rotation (viewed from shaft side)	+B lags +A for clockwise rotation (viewed from shaft side)	U2 lags U1 with clockwise rotation (viewed from shaft side)
Maximum rise and fall time	-	-	< 0.5 μs
Standard cable length	1 m, without connector	1 m, without connector	1 m, without connector
Maximum cable length	5 m	25 m	25 m
Output signals			

Note:

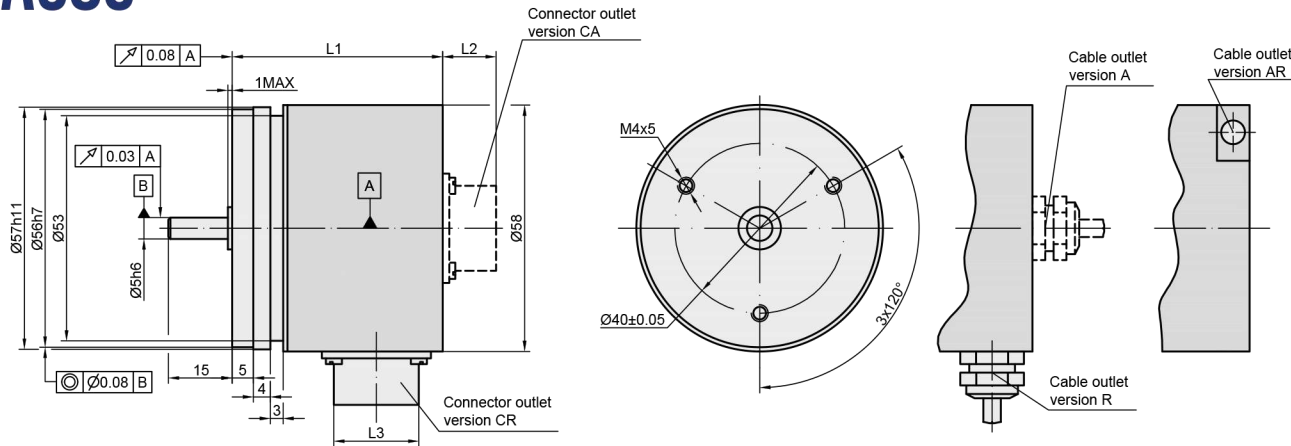
- Maximum working rotation speed (with proper encoder counting) is limited by maximum operating frequency and maximum mechanical rotation speed.
- If cable extension is used, power supply conductor cross-section should not be smaller than 0.5 mm<sup>2</sup>.

# A58B



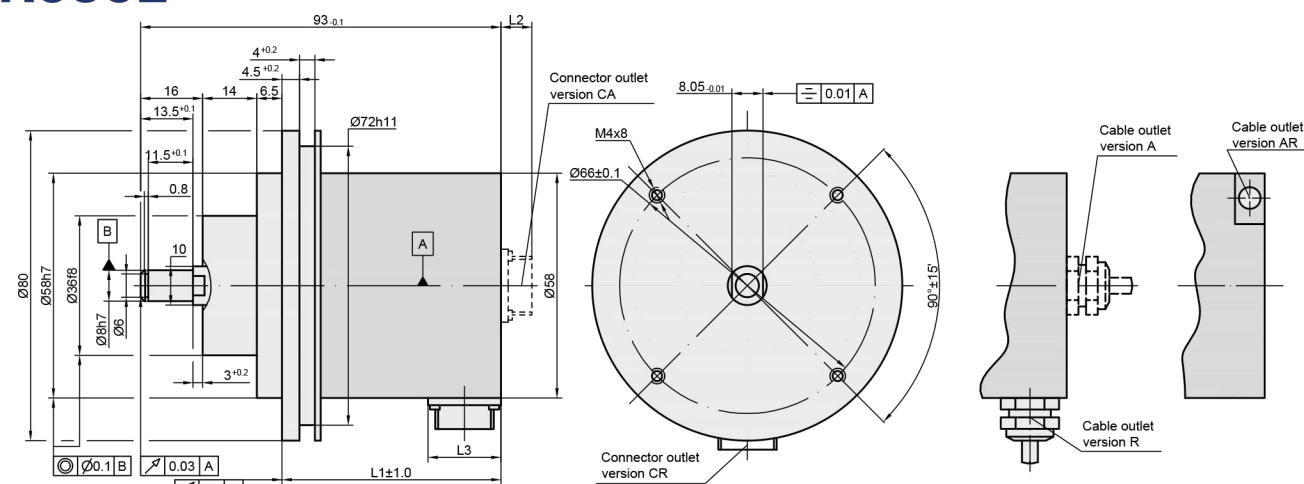
Connector type / cable outlet	ONC axial	RS10 axial	C12, C9 axial	ONC radial	RS10 radial	C12, C9 radial	Cable axial (ver. A)	Cable radial (ver. R)	Cable axial-radial (ver. AR)
L1	44.5 mm	44.5 mm	44.5 mm	57.5 mm	56.5 mm	56.5 mm	44.5 mm	44.5 mm	46.6 mm
L2	16 mm	9 mm	22 mm	16 mm	9 mm	22 mm	12 mm	12 mm	-
L3	M24	M14	M23	M24	M14	M23	-	-	-

# A58C



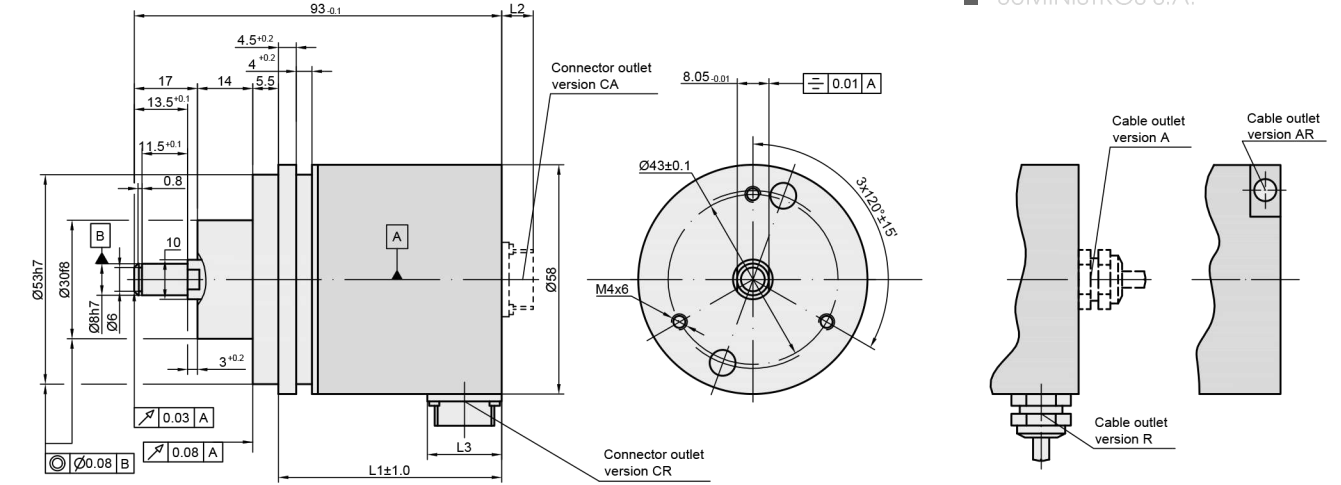
Connector type / cable outlet	ONC axial	RS10 axial	C12, C9 axial	ONC radial	RS10 radial	C12, C9 radial	Cable axial (ver. A)	Cable radial (ver. R)	Cable axial-radial (ver. AR)
L1	47 mm	47 mm	47 mm	60 mm	59 mm	59 mm	47 mm	47 mm	49 mm
L2	16 mm	9 mm	22 mm	16 mm	9 mm	22 mm	12 mm	12 mm	-
L3	M24	M14	M23	M24	M14	M23	-	-	-

# A58C2



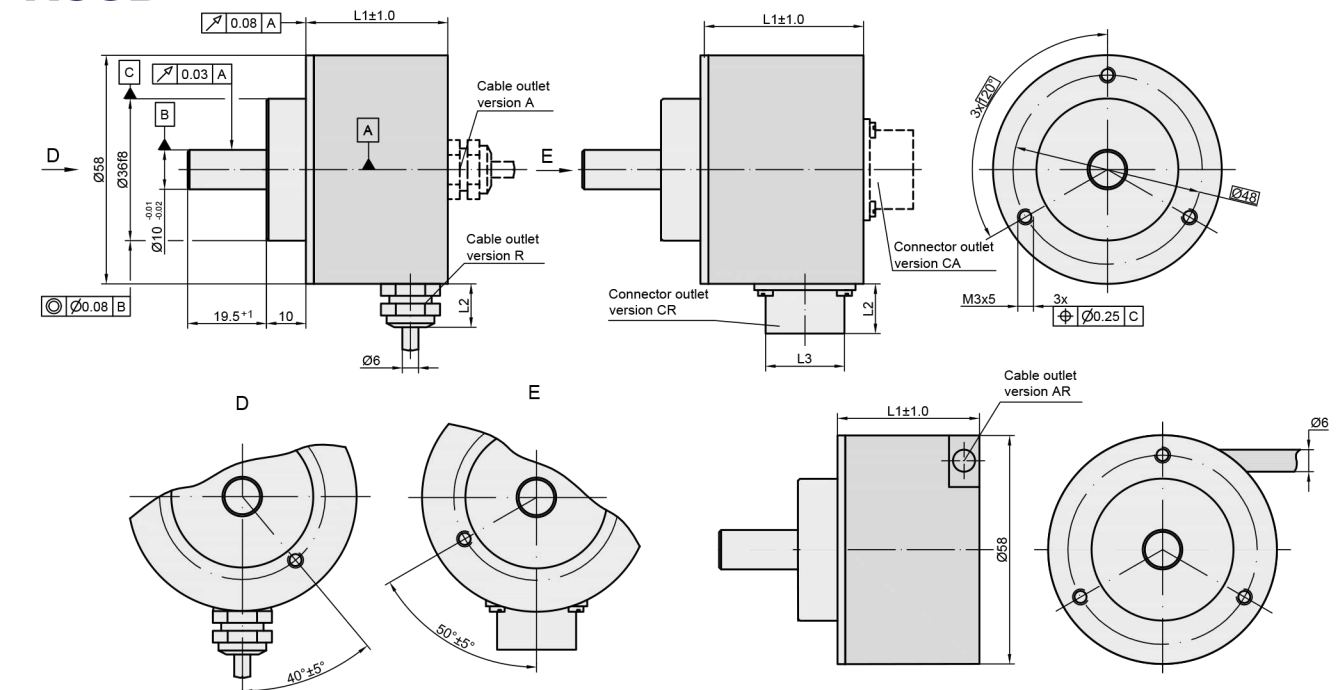
Connector type / cable outlet	ONC axial	RS10 axial	C12, C9 axial	ONC radial	RS10 radial	C12, C9 radial	Cable axial (ver. A)	Cable radial (ver. R)	Cable axial-radial (ver. AR)
L1	44.5 mm	44.5 mm	44.5 mm	-	56.5 mm	56.5 mm	44.5 mm	44.5 mm	46.5 mm
L2	16 mm	9 mm	22 mm	16 mm	9 mm	22 mm	12 mm	12 mm	-
L3	M24	M14	M23	M24	M14	M23	-	-	-

# A58C3



Connector type / cable outlet	ONC axial	RS10 axial	C12, C9 axial	ONC radial	RS10 radial	C12, C9 radial	Cable axial (ver. A)	Cable radial (ver. R)	Cable axial-radial (ver. AR)
L1	50 mm	50 mm	50 mm	-	62 mm	62 mm	50 mm	50 mm	52 mm
L2	16 mm	9 mm	22 mm	16 mm	9 mm	22 mm	12 mm	12 mm	-
L3	M24	M14	M23	M24	M14	M23	-	-	-

# A58D



Connector type / cable outlet	ONC axial	RS10 axial	C12, C9 axial	ONC radial	RS10 radial	C12, C9 radial	Cable axial (ver. A)	Cable radial (ver. R)	Cable axial-radial (ver. AR)
L1	37.5 mm	37.5 mm	37.5 mm	-	49.5 mm	49.5 mm	37.5 mm	37.5 mm	39.5 mm
L2	16 mm	9 mm	22 mm	16 mm	9 mm	22 mm	12 mm	12 mm	-
L3	M24	M14	M23	M24	M14	M23	-	-	-

## ORDER FORM

A58 - X1 - X2 - X3/X4 - X5 - X6/X7

Type (X1):	Output signals version (X2):	Pulse number per revolution (X3):	Optional line number on disc (z) (X4):	Supply voltage (X5):	Cable length and outlet or flange socket on case outlet (X6):	Connector or flange Socket type (X7):
M - A58M B - A58B C - A58C C2 - A58C2 C3 - A58C3 D - A58D	A AV F	100 ... 108000*	100 ... 10800	05V - +5V 30V - +(10 to 30)V*	A01 - 1m (A-axial cable) A02 - 2m R03 - 3m (R-radial cable) AR01 - 1 m (AR-universal cable outlet) CA - flange socket axial CR - flange socket radial	W - without connector D9 - flat, 9 pins C9 - round, 9 pins C12 - round, 12 pins RS10 - round, 10 pins ONC - round, 10 pins

ORDER EXAMPLES: 1) A58M-A-1024-05V-A01/W  
2) A58B-F-2500-05V-AR01/W  
3) A58B-F-2500/500-05V-AR01/W