



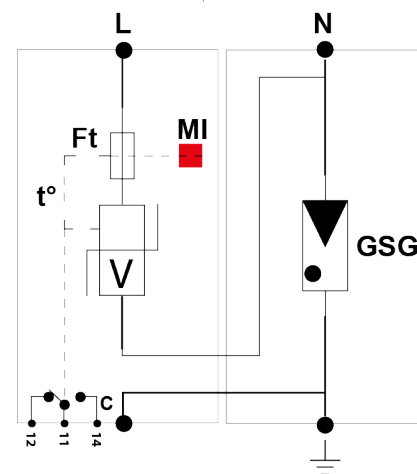
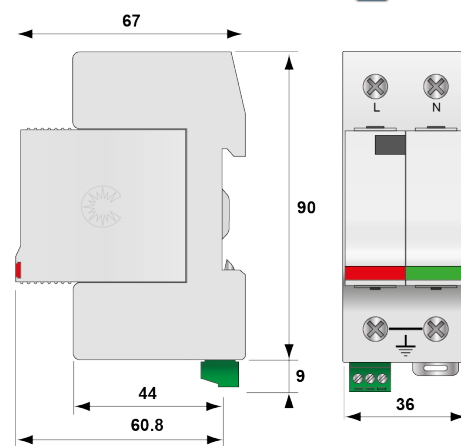
DS42S-230/G

- Type 2 AC Multipolar surge protector
- In : 20 kA
- I_{max} total : 40 kA
- Pluggable module for each phase
- Remote signaling
- NF EN 61643-11, CEI 61643-11 compliance
- UII 1449 ed 9

AC POWER



Electrical Characteristics		
SPD type		2
Network		230 V single-phase
AC system		TT-TN
Nominal line voltage	<i>U_n</i>	230 Vac
Max. AC operating voltage L-N	<i>U_c</i>	255 Vac
Temporary Over Voltage (TOV) Characteristics - 5 sec. <i>Without disconnection</i>	<i>U_T</i>	335 Vac withstand
Temporary Over Voltage (TOV) Characteristics - 120 mn <i>Without disconnection or with safety disconnection</i>	<i>U_T</i>	440 Vac disconnection
Temporary Over Voltage N/PE (TOV HT) <i>Without disconnection or with safety disconnection</i>	<i>U_T</i>	1200 V/300A/200 ms withstand
Residual Current <i>Leakage current to Ground</i>	<i>I_{pe}</i>	None
Operating current <i>Continuous current at U_c</i>	<i>I_c</i>	0.5 mA
Follow current	<i>I_f</i>	None
Nominal discharge current <i>15 x 8/20 μs impulses</i>	<i>I_n</i>	20 kA
Max. discharge current <i>max. withstand @ 8/20 μs by pole</i>	<i>I_{max}</i>	40 kA
Total Maximal discharge current <i>max. total withstand @ 8/20 μs</i>	<i>I_{max Total}</i>	40 kA
Connection mode(s)		L/N and N/PE
Protection mode(s)		Common/Differential mode
Residual voltage at 5 kA <i>@ 5 kA (8/20 μs)</i>	<i>U_{p-5kA}</i>	0.9 kV
Protection level L/N <i>@ I_n (8/20 μs)</i>	<i>U_{p L/N}</i>	1.25 kV
Protection level N/PE <i>@ I_n (8/20 μs)</i>	<i>U_{p N/PE}</i>	1.5 kV
Residual voltage at 10 kA <i>@ 8/20 μs</i>	<i>U_{p-10kA}</i>	1.1 kV
Admissible short-circuit current	<i>I_{sccr}</i>	25000 A



V: High-energy varistor
GSG: Specific gas tube
Ft: Thermal fuse
C: Remote signaling contact
t°: Thermal disconnection system
MI: Disconnection indicator

Mechanical Characteristics	
Technology	MOV+GDT
SPD configuration	Single phase
Connection to Network	By screw terminals: 2.5-25 mm ² / by bus
Format	Plug-in modular box
Mounting	Symmetrical rail 35 mm (EN60715)
Housing material	Thermoplastic UL94-V0
Operating temperature	-40/+85°C
Protection rating	IP20
Failsafe mode	Disconnection
Disconnection indicator	1 mechanical indicator by pole
Spare module(s)	DSM40-230+DSM40G-600
Remote signaling of disconnection	Output on changeover contact
Dimensions	See diagram
Disconnectors	
Thermal disconnecter	Internal
Installation ground fault breaker	Type 'S' or delayed
Fuses	Fuses type gG - 50 A
Standards	
Standards compliance	IEC 61643-11 / EN 61643-11 / UL1449 4ed.
Certification	UL / EAC / TUV
Part Number	461531