



adler®

AX6 gPV 1500 VDC Fuse



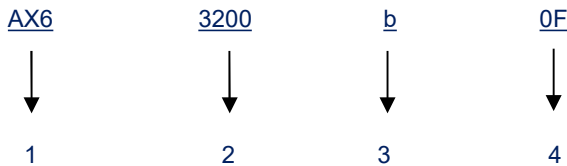
FEATURES:

- 1500 VDC, PV fuse link
- Rated Current: 100-200 A
- Rated Breaking Capacity: 10 kA at 1500 VDC
- Time Constant: 1-3 ms
- Ref. to UL 248-19; IEC 60269-6
- Approvals: UL (File: E490190)
- BH1XL Fuse base

ELECTRICAL SPECIFICATIONS

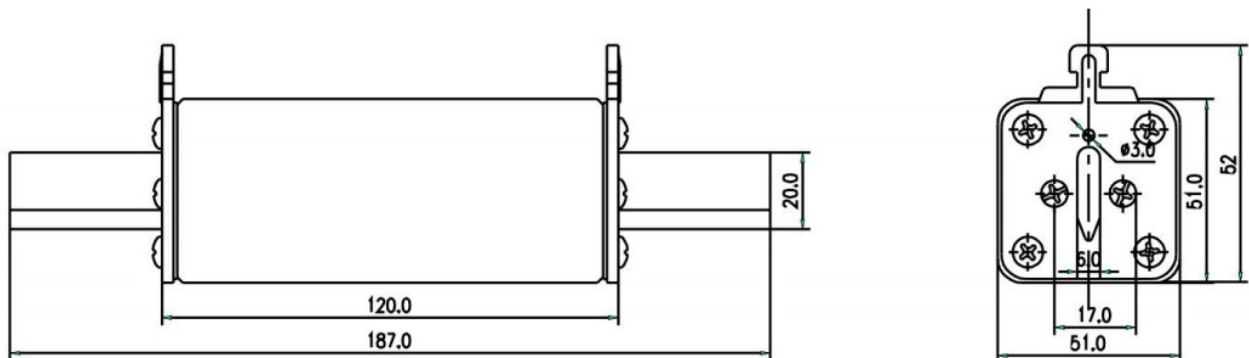
Part Number	Rated Current	Ampere Code	Breaking Capacity	I ² t (A ² s)		Dissipation (W)	
				Pre-Arcing	Total	0.8 I _n	1.0 I _n
AX63100b0F	100 A	3100	10 kA@1500 VDC	1494	5468	18	34
AX63125b0F	125 A	3125		2120	9950	20	37
AX63160b0F	160 A	3160		3340	23404	25	45
AX63200b0F	200 A	3200		5480	24800	39	55

PART NUMBER SYSTEM



- 1Product Series AX6
- 2 Ampere Code 200 A (see Ampere code column of electrical specifications)
- 3Rated Voltage..... b: 1500 VDC
- 4 Supplementary Code 0F: default

DIMENSIONS (mm)



TIME CURRENT CURVE

